

Precision Digital Pressure Gauge

Model MG400

Nominal size: 80 mm (3")
 Accuracy: Upto Class 0.1 (0.1%)
 Temperature compensated -10 to 50 °C

Features

- Protection IP66
- Temperature Compensated
- Zero and Span Calibration
- Backlight
- 10 Engineering Units
- Data logging
- Analog & Digital Outputs

Ranges

-15 ... 0 psi upto 0 ... 70,000 psi
 -1 ... 0 bar upto 0 ... 5000 bar
 -100 ... 0 kPa upto 0 ... 500 MPa

Applications

Test benches
 Calibration laboratories
 Maintenance and repair shop
 Process Automation



Technical specification	MG400		
Nominal size	80 mm		
Type	Range	Accuracy*	
Gauge	400 mbar to 1500 bar	0.1 % FS	
	1600 bar to 2500 bar	0.2 % FS	
	4000 bar to 5000 bar	0.5 % FS	
Absolute	1 bara to 70 bara	0.1% FS	
Compound	-1/0 bar to -1/35 bar	0.1% FS	
*Accuracy Including Linearity, Hysteresis, Repeatability errors from -10 to 50 C			
Overpressure limit	≤ 200 bar : 300%	≤ 1000 bar : 150%	≤ 5000 bar : 100%
Burst Pressure	≤ 700 bar : 400%	≤ 1000 bar : 200%	≤ 1500 bar : 150%
	≤ 5000 bar : 120%		
Process Units	kPa, MPa, Kg/Cm2, psi, mbar, bar, inHg, inH20, mmH20, mmHg		
Connection location	Lower		
Process Connection	1/4 NPT(M), G1/4 (M), 9/16 UNF (F)		
Display			
Type	LCD, 4 ½ Digit		
Backlight	On/Off, Automatic Off function		
Update rate	1,2,5,7 times per second (10 times in Peak function)		
Material			
Case	Die Cast Aluminum		
Sensor & Socket	SS 316L		
Power	3 AAA Battery (1000 hours), Optional 12 to 24 VDC		
Output	Optional analog O/P: -1/5 VDC, 0/5 VDC, 0/10 VDC, 4/20 mA Optional Digital O/P: RS232 external power source required		
Permissible			
Ambient temperature	-20 ... 70 °C		
Medium temperature	-20 ... 70 °C		
Storage temperature	-30 ... 80 °C		
Compensated temperature	-10 ... 50 °C		
Protection according	IP66		
Weight	350g		
Accessories	Adapters, Power Adapter, Analog output cables, etc.		
Options	Data logging (1 time per 1,3,5,60 sec), Max 10000 data Bracket for panel mounting		

All specifications are subject to change without notice.

Order information

Size	Type	System Material	Execution	Process connection	Connection orientation	Range		Output	Options
						mbar	bar		
(80) 80mm	MG400	(S) SS316	(R) IP66	(02) 1/4" NPT(M) ¹⁾ (MG9) G 1/4(M) ²⁾ (09) 9/16 UNF(F) ³⁾	(L) Lower	0/ 400	0/ 1	(=) None	(PA1) Power Adapter
						0/ 600	0/ 1.6	(15) 1/5 VDC	(PA3) Power + Analog O/P + RS232 adapter
							0/ 2.5	(42) 4-20 mA	
							0/ 4	(05) 0-5 VDC	(CD10) 10 point calibration certificate
							0/ 6	(10) 0-10 VDC	(CD4N) NABL calibration certificate
							0/ 10	RS232 is default for all analog output	
							0/ 16	External power source is required for output	
							0/ 25		
							0/ 30		
							0/ 40		
							0/ 60		
							0/ 100		
							0/ 160		
							0/ 250		
							0/ 300		
							0/ 400		
							0/ 600		
							0/ 700		
							0/ 1000		
							0/ 1500		
	0/ 1600								
	0/ 2500								
	0/ 4000								
	0/ 5000								
	0/ 70	units selectable							

1) Maximum pressure 700 bar 2) maximum pressure 400 bar 3) for ranges 1000 bar and above

How to order

Size	Type	System material	Execution	Process connection	Connection orientation	Range	Engineering unit	Power/Output	Option
80	MG400	S	L	02	L	0/100	BAR	=	NH

Precision Mass Products Pvt. Ltd.

Plot No.: 2306, G.I.D.C. Chhatral, Ta: Kalol, Dist.: Gandhinagar,
Chhatral -382729, Gujarat, India.

Telephone: +91-2764 233681/82/83

Email: sales@precisionmass.com

Fax: +91-2764-233440

www.precisionmass.com

- North Zone : sales.delhi@precisionmass.com
- East zone : sales.kolkata@precisionmass.com
- West zone : sales.mumbai@precisionmass.com
- South zone : sales.chennai@precisionmass.com

Model Decodification for MG401

Model No. 100-MG401-S-13-L-0/10 bar=		BRAND : "MASS"
Size	100	100 mm (4")
Type	MG401	Digital Pressure Gauge MG401
System material	S	SS 316L (1.4404)
Process connection	13	1/4" BSP (M)
Connection orientation	L	Lower
Range	0/10 bar	0/10 bar
Output signal	=	None



Precision Digital Pressure Gauge

Model MG401

Nominal size: 100 mm (4")
Accuracy: Class 0.1 (0.1%)

Features

- 5 & 6 Digit Large LCD Display
- Bright Backlight
- 14 Standard Engineering Units
- Protection IP65
- SS316L Wetted Parts & Casing

Ranges

100 mbar to 1000 bar in Gauge, Vacuum & Compound

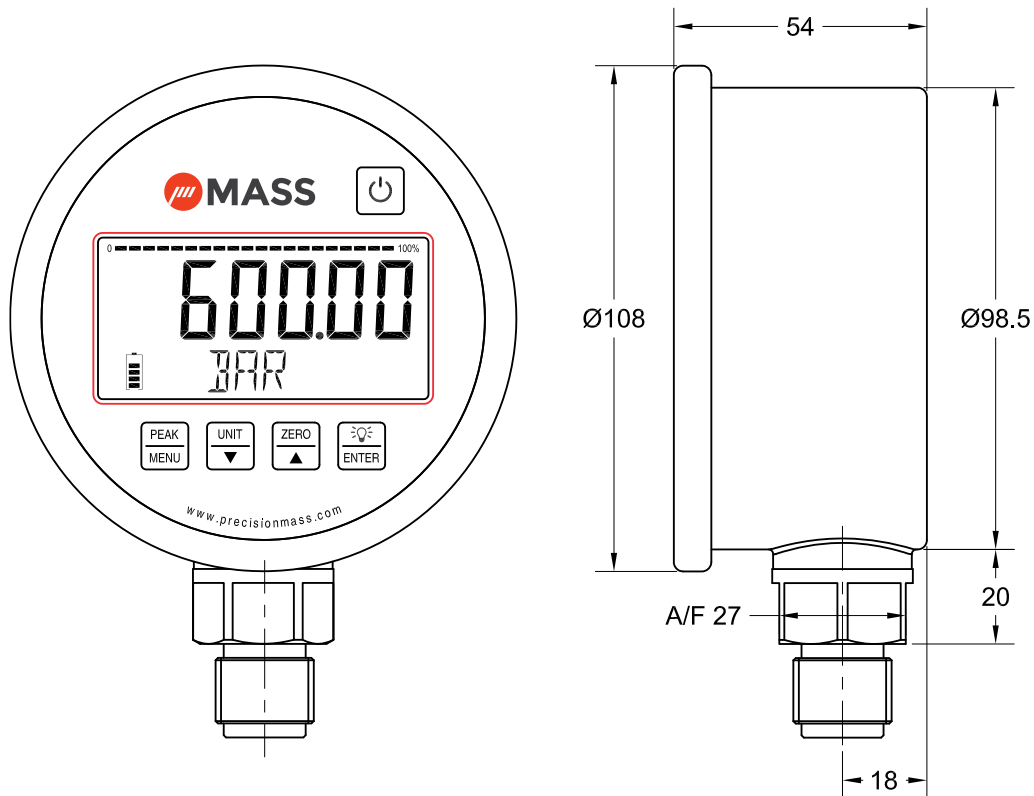
Applications

Calibration laboratories
Test benches
Process Automation



Technical specification	MG401
Nominal size	100 mm
Measuring Principle	Piezo resistive Sensors
Accuracy	0.1 % F.S. (Accuracy Including Linearity, Hysteresis, Repeatability errors)
Range in bar mbar	-1/0 -1/2 -1/7 -1/10 -1/30 0/70 0/100 0/350 0/700 0/1000 0/100 0/250 0/600
Overpressure limit	130% of scale, Max 1100 bar
Units	bar, mbar, kg/cm ² , psi, Pa, kPa, MPa, mmH ₂ O, mH ₂ O, inH ₂ O (60F), ftH ₂ O, mmHg, cmHg, inHg (60F)
Connection location	Lower
Process Connection	1/2 BSP(M), Others on request.
Display Type Character Height Backlight	LCD, 5 Digit 99999 counts and 6 Digit 999999 counts 0.67" (17 mm) On/Off, Automatic Off function (Never, 10s, 30s, 1 min, 5 min)
Material Case Sensor and Socket	SS 316L SS 316L
Power Battery Life	3 AA Alkaline Battery 2000 Hrs. at standard use
Features	Zero Clear Auto Off Min/Max Indicator Bar Graph (20 Segment) Battery Indication (5 Segment) Update rate (50, 100, 200, 500, 1000 ms) Dampening (None, Low, Medium, High) Tare (User definable) Digit Selection (5/6) Process pressure % indicator (User definable) Password Protection for calibration and special functions (user selectable)
Permissible Ambient temperature Medium temperature Storage temperature Compensated temperature	0 ... 70 °C -10 ... 50 °C -30 ... 80 °C +10 ... 50 °C
Certification	Manufacturer calibration certificate, optional NABL Certificate
Weight	430 grams
Protection	IP65 as per IEC 60529
Accessories	Adapters (Regular/Swivel)

General dimensions in mm



Order information

Size	Type	System Material	Process Connection	Connection orientation	Range	Output	Options
(100) 100mm	MG401	(S) SS316L	(15) 1/2" BSP (M)	(L) Lower	MBAR 0/ 100 0/ 250 0/ 600 BAR -1/ 0 -1/ 2 -1/ 7 -1/ 10 -1/ 30 0/ 70 0/ 100 0/ 350 0/ 700 0/ 1000	(=) None	(TU) Throttle Plug (CD4N) ISO17025 (NABL) Calibration Certificate
			Others on request		Others on request		

How to order

Size	Type	System material	Process connection	Connection orientation	Range	Engineering unit	Output	Option
100	MG401	S	15	L	0/100	BAR	=	TU

Precision Mass Products Pvt. Ltd.

Plot No.: 2306, G.I.D.C. Chhatral, Ta: Kalol, Dist.: Gandhinagar,
Chhatral -382729, Gujarat, India.

Telephone: +91-2764 233681

Email: sales@precisionmass.com

+91-9377407922

www.precisionmass.com